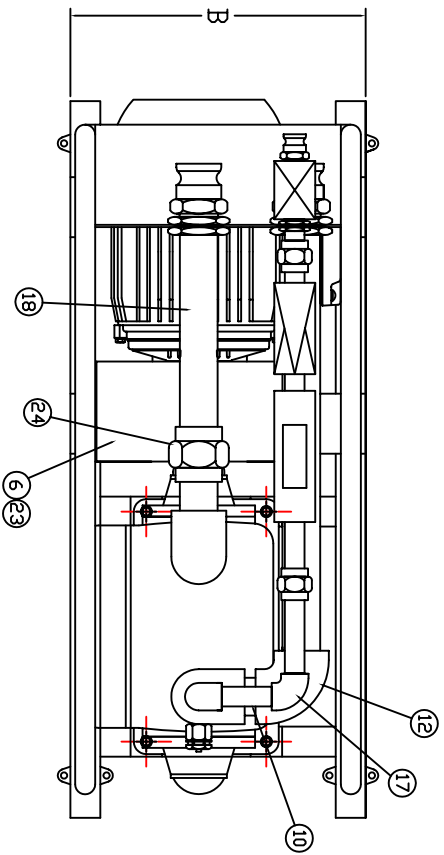
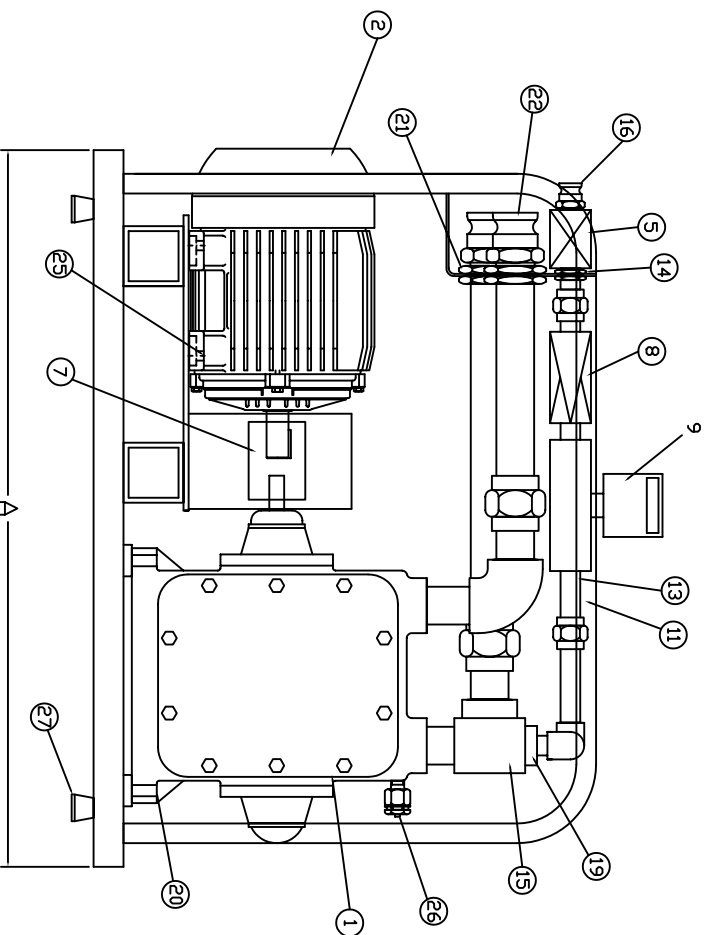


Item	Description	Part No.	Qty.	Item	Description	Part No.	Qty.
1	Sliding shoe pump	1	19	19	Reducing bush	4	4
2	Electric motor	1	20	20	Pump screw	2	2
3	Relief valve	1	21	21	Backnut	2	2
4	Frame	1	22	22	Sealcock filling	4	4
5	Sealing valve	1	23	23	Coupling guard screw	2	2
6	Coupling guard	1	24	24	Union	4	4
7	Coupling	1	25	25	Motor screw	1	1
8	Non-return valve	1	26	26	Vacuum limiting valve	1	1
9	Flowerpot	1	27	27	Rubber foot	4	4
10	ABS pipe	AR					
11	Union	2					
12	Elbow	2					
13	NPT x plain spigot	2					
14	Backnut	2					
15	Tea	1					
16	Sealcock filling	1					
17	Elbow	2					
18	ABS pipe	AR					

ALL DIMENSIONS APPROXIMATE IN MILLIMETRES

Unit	A	B	C
MegaSpray 125	915	400	660
MegaSpray 150	915	500	700
MegaSpray 200	1200	600	850



MODIFICATIONS

REFERENCE

RELATED DRAWINGS

DRAWING No.

DRAWN	CHECKED	APPROVED	DATE	SCALE	LAYER #	PART No.
SH		CR		NTS		

MEGATOR LIMITED
 HENDON, SUNDERLAND, SR1 2NQ, ENGLAND

APPROVED	ISSUED	DATE

MEGASPRAY DIL DISPERSANT SYSTEM